



THE SKELETON BUCKET IS DESIGNED TO SORT STONES AND AGGREGATE MATERIALS. THE SIEVED MATERIAL'S SIZE DEPENDS ON THE DISTANCE AMONG THE GRIDS.



**STANDARD TECHNICAL FEATURES**

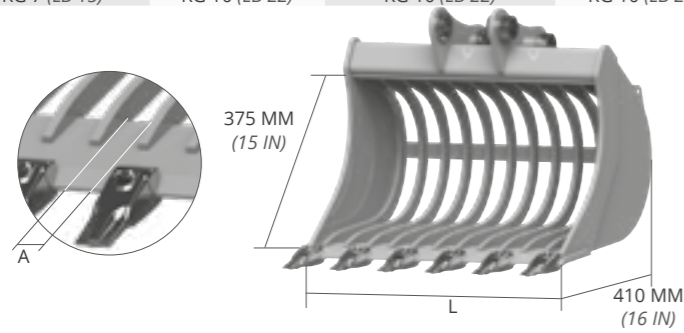
- 1 DC TEETH DTE TEETH

**OPTIONAL**

- 2 HB500 WELDED ADDITIONAL CUTTING EDGE (NO TEETH)  
RECOMMENDED TO WORK ON PARTICULARLY ABRASIVE SOILS.

MOD.	MIDI							EXCAVATOR			
	VE38	VE45	VE53	VE62	VE67	VE73	VE80	VE85	VE92 GD	VE100 GD	VE110 GD
TONS (LB)	0,6 - 1,8 (1323 - 3968)	1,8 - 2,5 (2646 - 5512)	2,5 - 4,0 (5512 - 8818)	4,0 - 5,0 (8818 - 11023)	5,0 - 7,5 (11023 - 16535)	7,5 - 10,0 (16535 - 22046)	10,0 - 12,0 (22046 - 26455)	12,0 - 14,0 (26455 - 30865)	12,0 - 14,0 (26455 - 30865)	14,0 - 16,0 (30865 - 35274)	16,0 - 19,0 (35274 - 41887)

## VE38 MACHINE WEIGHT 0,6 - 1,8 t (1323 - 3968 lb)

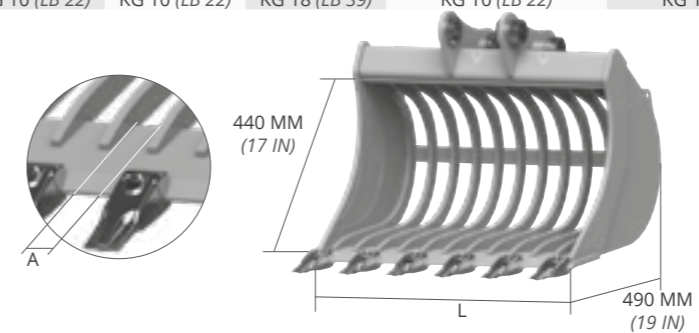


L MM (IN)	A MM (IN)	WEIGHT KG* (LB*)	CAP. SAE L (GAL)	TEETH N°	ADAPTERS
500 (20)	54 (2,1)	31 (68)	49 (12,9)	4	AF - AR - CS CR - CM CW - CS JANUS PRO
600 (24)	51 (2,0)	35 (77)	61 (16,1)	4	AF - AR - CS CR - CM CW - CS JANUS PRO
700 (28)	55 (2,2)	42 (93)	74 (19,5)	5	AF - AR - CS CR - CM CW - CS JANUS PRO

### OPTIONAL

2  
HB500 WELDED ADDITIONAL CUTTING EDGE

## VE45 MACHINE WEIGHT 1,8 - 2,5 t (3968 - 5512 lb)

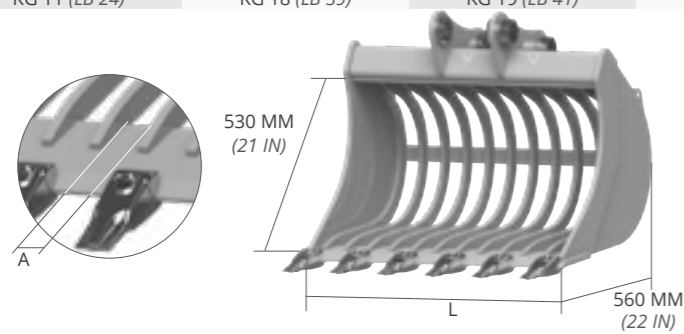
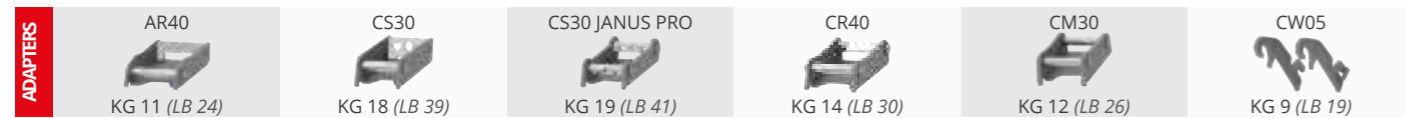


L MM (IN)	A MM (IN)	WEIGHT KG* (LB*)	CAP. SAE L (GAL)	TEETH N°	ADAPTERS
600 (24)	55 (2,2)	51 (112)	79 (20,9)	4	AF - AR - CS CR - CM CW - CS JANUS PRO
700 (28)	59 (2,3)	57 (126)	95 (25,1)	5	AF - AR - CS CR - CM CW - CS JANUS PRO
800 (31)	55 (2,2)	64 (141)	111 (29,3)	5	AF - AR - CS CR - CM CW - CS JANUS PRO

### OPTIONAL

2  
HB500 WELDED ADDITIONAL CUTTING EDGE

## VE53 MACHINE WEIGHT 2,5 - 4,0 t (5512 - 8818 lb)

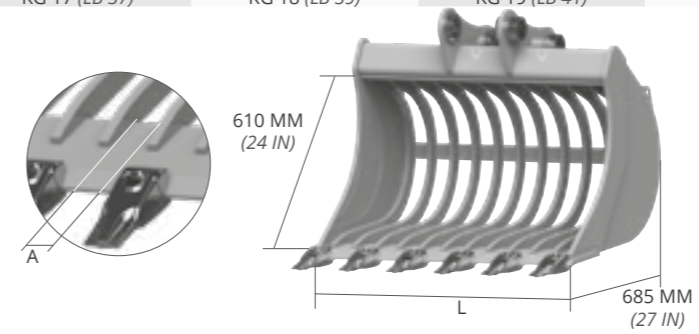
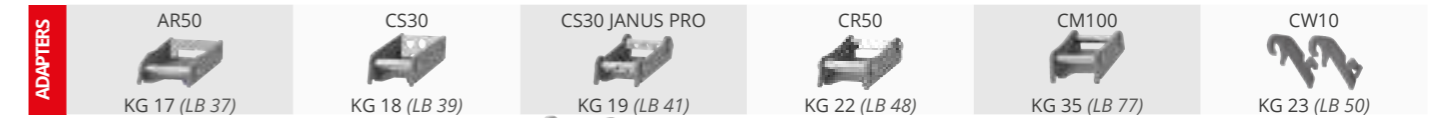


L MM (IN)	A MM (IN)	WEIGHT KG* (LB*)	CAP. SAE L (GAL)	TEETH N°	ADAPTERS
700 (28)	59 (2,3)	80 (176)	142 (37,5)	5	AF - AR - CS CR - CM CW - CS JANUS PRO
800 (31)	55 (2,2)	91 (201)	166 (43,9)	5	AF - AR - CS CR - CM CW - CS JANUS PRO
900 (35)	58 (2,3)	100 (220)	190 (50,2)	5	AF - AR - CS CR - CM CW - CS JANUS PRO

### OPTIONAL

2  
HB500 WELDED ADDITIONAL CUTTING EDGE

## VE62 MACHINE WEIGHT 4,0 - 5,0 t (8818 - 11023 lb)



L MM (IN)	A MM (IN)	WEIGHT KG* (LB*)	CAP. SAE L (GAL)	TEETH N°	ADAPTERS
800 (31)	66 (2,6)	126 (278)	226 (59,7)	5	AF - AR - CS CR - CM CW - CS JANUS PRO
900 (35)	61 (2,4)	142 (313)	259 (68,4)	6	AF - AR - CS CR - CM CW - CS JANUS PRO
1000 (39)	63 (2,5)	153 (337)	292 (77,1)	6	AF - AR - CS CR - CM CW - CS JANUS PRO

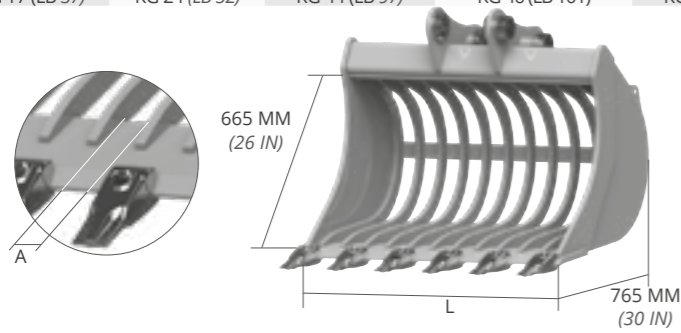
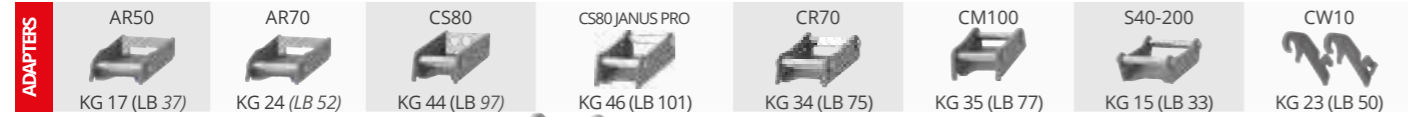
### OPTIONAL

2  
HB500 WELDED ADDITIONAL CUTTING EDGE

\* weight of the tank excluding attachment

\* weight of the tank excluding attachment

## VE67 MACHINE WEIGHT 5,0 - 7,5 t (11023 - 16535 lb)

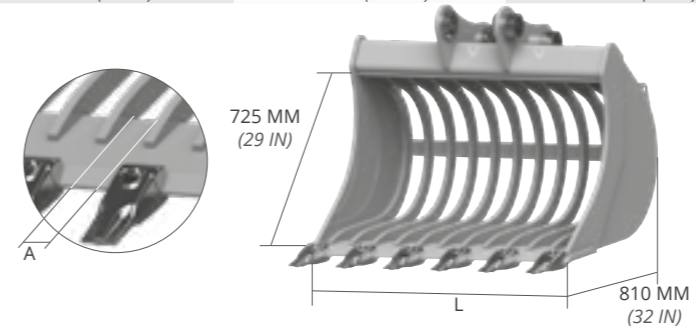


### OPTIONAL

2  
HB500 WELDED ADDITIONAL CUTTING EDGE

L MM (IN)	A MM (IN)	WEIGHT KG* (LB*)	CAP. SAE L (GAL)	TEETH N°	ADAPTERS
800 (31)	66 (2,6)	166 (366)	258 (68,2)	5	AF - AR - CS
					CR - CM
					CW - CS JANUS PRO
900 (35)	61 (2,4)	187 (412)	296 (78,2)	6	AF - AR - CS
					CR - CM
					CW - CS JANUS PRO
1000 (39)	63 (2,5)	202 (445)	335 (88,5)	6	AF - AR - CS
					CR - CM
					CW - CS JANUS PRO

## VE73 MACHINE WEIGHT 7,5 - 10,0 t (16535 - 22046 lb)

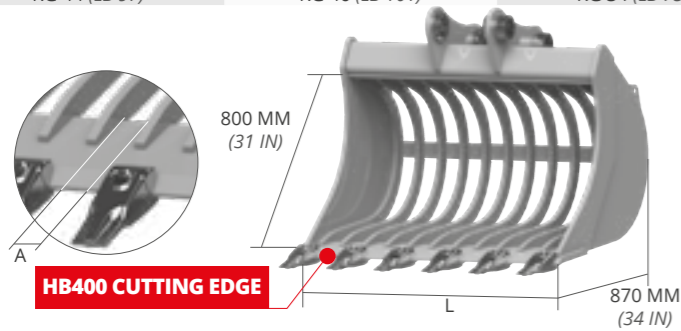
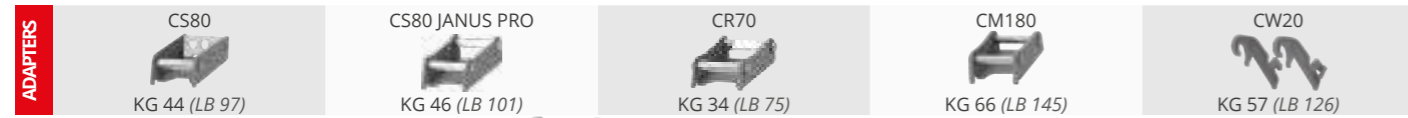


### OPTIONAL

2  
HB500 WELDED ADDITIONAL CUTTING EDGE

L MM (IN)	A MM (IN)	WEIGHT KG* (LB*)	CAP. SAE L (GAL)	TEETH N°	ADAPTERS
800 (31)	74 (2,9)	192 (423)	296 (78,2)	5	AF - CS
					CR - CM
					CW - CS JANUS PRO
900 (35)	67 (2,6)	216 (476)	340 (89,8)	5	AF - CS
					CR - CM
					CW - CS JANUS PRO
1000 (39)	69 (2,7)	234 (516)	384 (101,4)	5	AF - CS
					CR - CM
					CW - CS JANUS PRO

## VE80 MACHINE WEIGHT 10,0 - 12,0 t (22046 - 26455 lb)



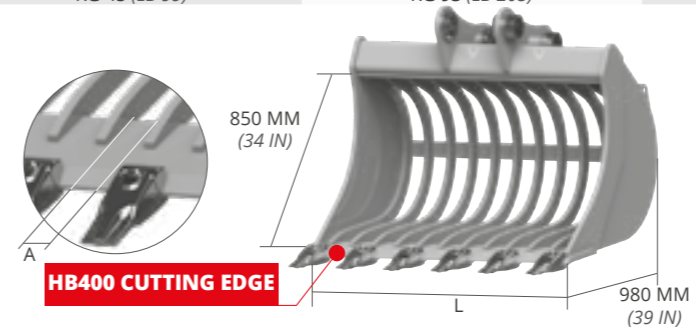
### OPTIONAL

2  
HB500 WELDED ADDITIONAL CUTTING EDGE

L MM (IN)	A MM (IN)	WEIGHT KG* (LB*)	CAP. SAE L (GAL)	TEETH N°	ADAPTERS
900 (35)	74 (2,9)	252 (556)	410 (108,3)	5	AF - CS
					CR - CM - CS JANUS PRO
					CW
1000 (39)	67 (2,6)	273 (602)	479 (126,5)	5	AF - CS
					CR - CM - CS JANUS PRO
					CW
1100 (43)	69 (2,7)	302 (666)	555 (146,6)	5	AF - CS
					CR - CM - CS JANUS PRO
					CW

\* weight of the tank excluding attachment

## VE85 MIDI MACHINE WEIGHT 12,0 - 14,0 t (26455 - 30865 lb)



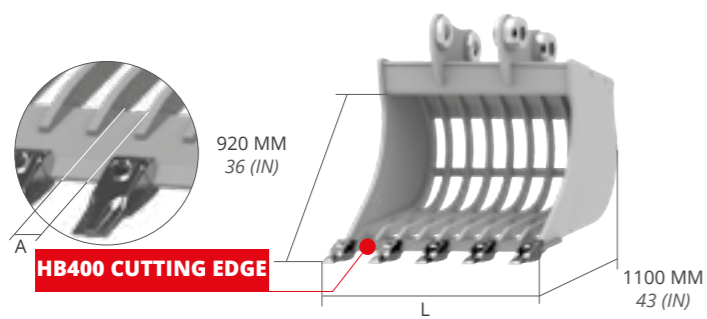
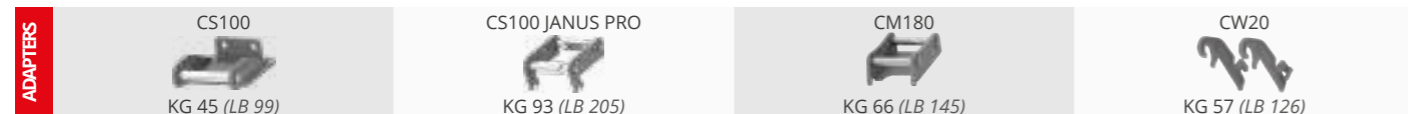
### OPTIONAL

2  
HB500 WELDED ADDITIONAL CUTTING EDGE

L MM (IN)	A MM (IN)	WEIGHT KG* (LB*)	CAP. SAE L (GAL)	TEETH N°	ADAPTERS
900 (35)	80 (3,1)	335 (736)	510 (134,7)	5	AF - CM
					CS - CW
					CS JANUS PRO
1000 (39)	80 (3,1)	363 (800)	584 (154,3)	5	AF - CM
					CS - CW
					CS JANUS PRO
1100 (43)	80 (3,1)	390 (860)	657 (173,6)	5	AF - CM
					CS - CW
					CS JANUS PRO
1200 (47)	80 (3,1)	418 (922)	730 (192,8)	6	AF - CM
					CS - CW
					CS JANUS PRO

\* weight of the tank excluding attachment

## VE92 GD EXCAVATOR MACHINE WEIGHT 12,0 - 14,0 t (26455 - 30865 lb)

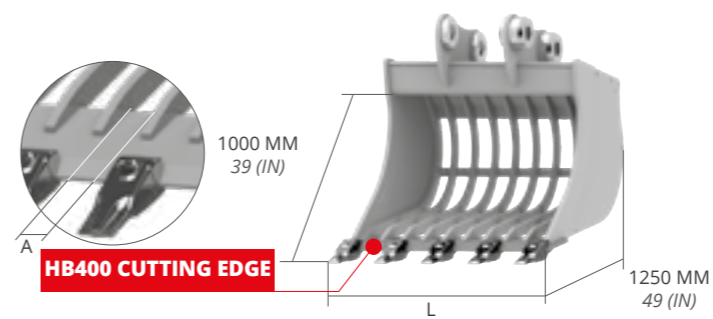
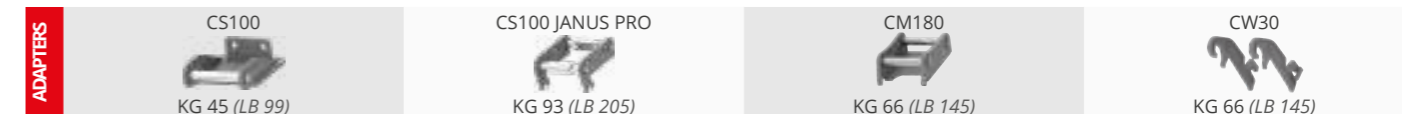


### OPTIONAL

2  
HB500 WELDED ADDITIONAL CUTTING EDGE

L MM (IN)	A MM (IN)	WEIGHT KG* (LB*)	CAP. SAE L (GAL)	TEETH N°	ADAPTERS
1200 (47)	80 (3,1)	431 (950)	783 (206,8)	5	AF - CM
					CS - CW
					CS JANUS PRO
1300 (51)	80 (3,1)	453 (998)	878 (231,9)	6	AF - CM
					CS - CW
					CS JANUS PRO
1400 (55)	80 (3,1)	475 (1047)	973 (257,0)	6	AF - CM
					CS - CW
					CS JANUS PRO

## VE100 GD MACHINE WEIGHT 14,0 - 18,0 t (30865 - 39683 lb)

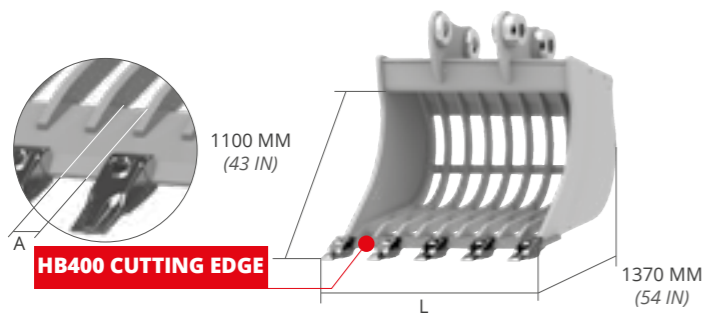
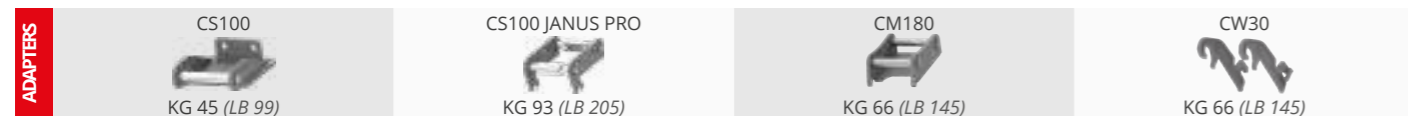


### OPTIONAL

2  
HB500 WELDED ADDITIONAL CUTTING EDGE

L MM (IN)	A MM (IN)	WEIGHT KG* (LB*)	CAP. SAE L (GAL)	TEETH N°	ADAPTERS
1200 (47)	100 (3,9)	587 (1294)	909 (240,1)	5	AF - CM
					CS - CW
					CS JANUS PRO
1300 (51)	100 (3,9)	632 (1393)	1004 (265,2)	6	AF - CM
					CS - CW
					CS JANUS PRO
1400 (55)	100 (3,9)	677 (1493)	1108 (292,7)	6	AF - CM
					CS - CW
					CS JANUS PRO

## VE110 GD MACHINE WEIGHT 18,0 - 22,0 t (39683 - 48502 lb)



### OPTIONAL

2  
HB500 WELDED ADDITIONAL CUTTING EDGE

L MM (IN)	A MM (IN)	WEIGHT KG* (LB*)	CAP. SAE L (GAL)	TEETH N°	ADAPTERS
1200 (47)	100 (3,9)	691 (1523)	1064 (281,1)	5	AF - CM
					CS - CW
					CS JANUS PRO
1300 (51)	100 (3,9)	741 (1634)	1173 (309,9)	6	AF - CM
					CS - CW
					CS JANUS PRO
1400 (55)	100 (3,9)	791 (1744)	1288 (340,3)	6	AF - CM
					CS - CW
					CS JANUS PRO

\* weight of the tank excluding attachment

\* weight of the tank excluding attachment