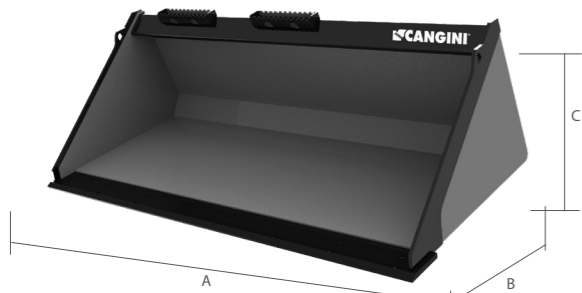
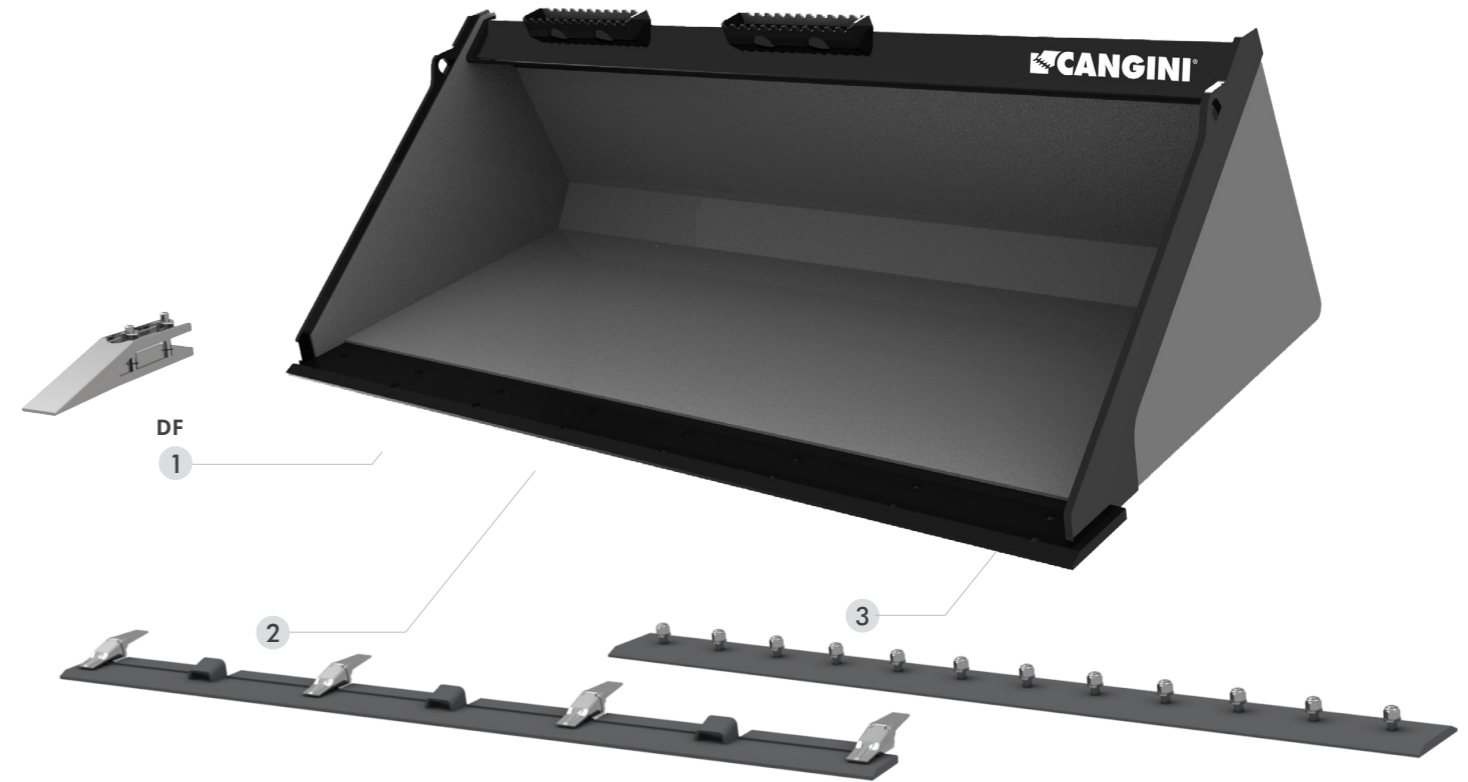




THE FRONT SKID STEER BUCKET PROVIDES GREAT LOADING CAPACITY THANKS TO ITS PROFILE DESIGNED FOR A BETTER GROUND CONTACT SURFACE. ITS SHAPE ALLOWS THIN AND GRANULAR MATERIALS TO BE KEPT INSIDE, AVOIDING MATERIAL LOSS DURING TRANSPORT. IT IS THE IDEAL BUCKET FOR LOADING AND UNLOADING DIFFERENT MATERIALS. THE ROBUST STRUCTURE OF THE LEVELMAX MODEL GUARANTEES A LONG SERVICE LIFE OF THE EQUIPMENT.



W/O COUPLER  
SAE CAP.

MOD.	LEVELMAX160	LEVELMAX175	LEVELMAX180	LEVELMAX190	LEVELMAX210
<b>A</b> MM	1600	1750	1800	1900	2100
(IN)	(63)	(69)	(71)	(75)	(83)
<b>B</b> MM	860	860	860	900	900
(IN)	(34)	(34)	(34)	(35)	(35)
<b>C</b> MM	520	520	520	540	540
(IN)	(20)	(20)	(20)	(21)	(21)
KG	181	195	200	220	245
(LB)	(399)	(430)	(441)	(485)	(540)
L	480	530	550	620	690
(GAL)	(127)	(140)	(145)	(164)	(182)

		LEVELMAX160	LEVELMAX175	LEVELMAX180	LEVELMAX190	LEVELMAX210
	N.	6	7	7	8	8
<b>1</b> DF TEETH		DF	DF	DF	DF	DF

**OPTIONAL**

- 2** DF TEETH
- 3** GRADING EDGE
- 4** BOLT-ON REVERSIBLE CUTTING-EDGE