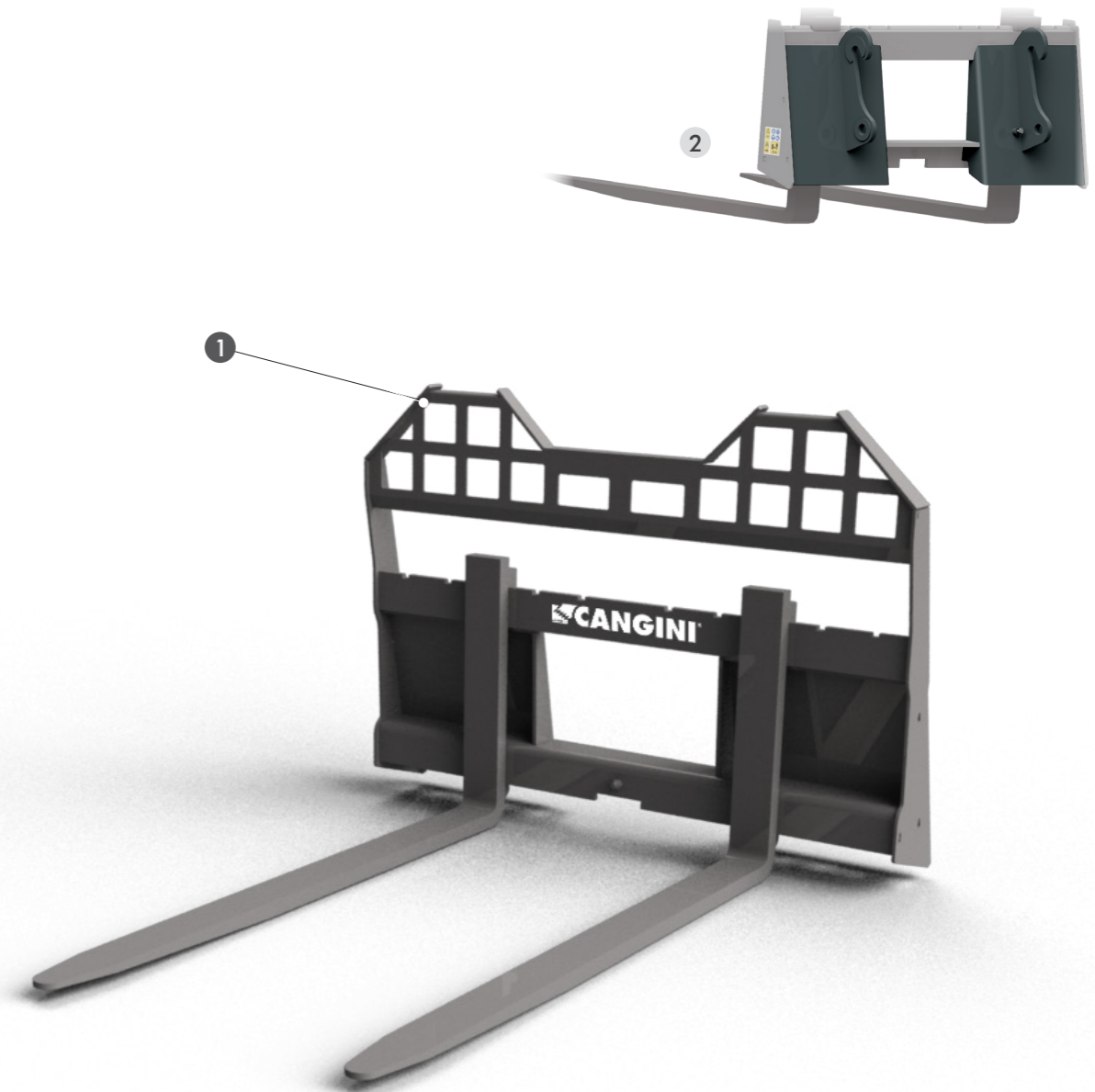




FRONT PALLET FORK FOR SKID, WHEEL, TELEHANDLER AND BACKHOE LOADERS. EQUIPPED WITH A SAFETY SYSTEM TO AVOID THE TILTING OF LOADS DURING ITS USE.



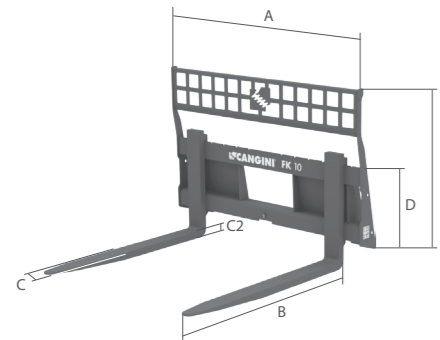
**STANDARD TECHNICAL FEATURES**

**1 PROTECTION FRAME**

IT PROTECTS THE OPERATOR, AVOIDING THE FALLING OF THE HANDLED MATERIAL INSIDE THE SKID LOADER'S CAB. THE SHAPE OF THE FRAME IS OPTIMISED FOR NEW-GENERATION SKID LOADERS.

**OPTIONAL**

**2 COUPLING SYSTEM FOR WHEEL LOADERS, BACKHOE LOADERS AND TELEHANDLERS**



	MOD.	FK8	FK10S	FK10	FK15	FK18	FK25	
<b>A</b>	MM (IN)	960 (45)	1150 (45)	1150 (45)	1150 (45)	1350 (53)	1350 (53)	
<b>B</b>	MM (IN)	1000 (39)	1000 (39)	1200 (47)	1200 (47)	1200 (47)	1200 (47)	
<b>C</b>	MM (IN)	80 (3,1)	80 (3,1)	80 (3,1)	100 (3,9)	100 (3,9)	100 (3,9)	
<b>C2</b>	MM (IN)	30 (1,2)	30 (1,2)	30 (1,2)	35 (1,4)	35 (1,4)	40 (1,6)	
<b>D</b>	MM (IN)	406 (16)	406 (16)	406 (16)	406 (16)	406 (16)	406 (16)	
<b>E</b>	MM (IN)	794 (31,2)	820 (32)	820 (32)	820 (32)	820 (32)	820 (32)	
	W/O COUPLER	KG (LB)	170 (374,7)	170 (265)	182 (276)	210 (364)	230 (397)	240 (430)
		KG (LB)	1000 (2205)	1000 (2205)	1000 (2205)	1500 (3307)	1800 (3968)	2500 (5512)