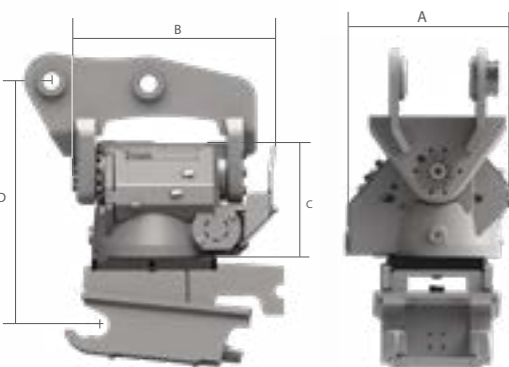




**NB: AT THE TIME OF ORDER, PLEASE NOTIFY THE VOLTAGE OF THE ELECTRICAL SYSTEM (12-24 V)**

THE NOX TR ROTARY HYDRAULIC ACTUATOR ENABLES CONTINUOUS ROTATION THROUGH 360° AND A TILT ANGLE OF 50° ON BOTH SIDES, PERMITTING THE MAXIMUM EFFICIENCY ON ANY APPLICATION AND SAVING TIME AND RESOURCES. IN THIS CASE, THE PRECISE, WELL CALIBRATED INFILLING OF TRENCHES AND THE MOVING OF DIFFERENT TYPES OF MATERIALS IN TIGHT AREAS ARE NO PROBLEM. THE ACTUATOR IS EQUIPPED WITH STANDARD HYDRAULIC JOINT



*TONS (LB)	2,0 - 4,5 (4480 - 10080)	4,0 - 7,0 (8818 - 15432)	6,0 - 11,0 (13227 - 24251)	10,0 - 14,0 (22046 - 30865)	14,0 - 19,0 (30865 - 41888)	19,0 - 25,0 (41888 - 55116)
<b>MOD.</b>	<b>ROTOTWIST NOX TR 045</b>	<b>ROTOTWIST NOX TR 07</b>	<b>ROTOTWIST NOX TR 11</b>	<b>ROTOTWIST NOX TR 14</b>	<b>ROTOTWIST NOX TR 19</b>	<b>ROTOTWIST NOX TR 25</b>
<b>A</b>	MM (IN) 380 (15)	385 (15)	428 (17)	478 (19)	475 (19)	525 (21)
<b>B</b>	MM (IN) 435 (17)	460 (18)	550 (23)	730 (29)	760 (30)	845 (33)
<b>C</b>	MM (IN) 315 (12)	315 (12)	350 (18)	390 (15)	420 (17)	470 (19)
<b>D (FROM)</b>	MM (IN) 380 (15)	420 (17)	475 (17)	565 (22)	580 (22)	650 (26)
<b>KG (LB)</b>	150 (331)	200 (440)	320 (705)	485 (1069)	580 (1278)	860 (1895)
<b>L/MIN (GAL/MIN)</b>	30 - 80 (7-21)	30 - 80 (7-21)	40 - 100 (10-26)	80 - 160 (21-42)	100 - 180 (26-47)	120 - 200 (31-52)
<b>L/MIN (GAL/MIN)</b>	70 / 30 (18-8)	70 / 30 (18-8)	70 / 30 (18-8)	70 / 30 (18-8)	70 / 30 (18-8)	70 / 30 (18-8)
<b>MAX. BREAKOUT FORCE (ISO)</b>	KN 40	50	75	110	150	170
<b>CONFIGURATION</b>	<b>DF04</b>	<b>DF04</b>	<b>DF04</b>	<b>DF04</b>	<b>DF04</b>	<b>DF04</b>
<b>MAX. BUCKET WIDTH</b>	MM (IN) 1100 (43)	1100 (43)	1300 (51)	1600 (63)	1700 (67)	2000 (79)

- W/O COUPLER, PLATE AND QUICK COUPLER
- ROTOTWIST
- HYDRAULIC JOINT

**NB\*** THE LIFTING CAPACITY OF THE HOOK IS ADJUSTED ACCORDING TO THE SUPPORT TO WHICH THE HOOK IS APPLIED

\* LOAD CAPACITIES ARE GUIDELINE: CANGINI RESERVES THE RIGHT TO VERIFY PAIRINGS DEPENDING ON THE WORKING LOAD OF THE PARENT MACHINE, WHICH MUST ALSO HAVE 4 PIPELINES

### STANDARD TECHNICAL FEATURES

- 1 CONTROL BOX (DF04)**  
THE HYDRAULIC ROTATION CIRCUIT FOR CONTROL OF NOX ROTATION ENABLES CONTROL OF TILT AND OF THE ADDITIONAL FUNCTIONS OF THE QUICK-FIT COUPLING DIRECTLY FROM THE CAB. THE ON/OFF BUTTON ON THE DISPLAY SWITCHES BETWEEN THE VARIOUS FUNCTIONS. FOR THE DF04 CONTROL SYSTEM, THE PARENT MACHINE MUST HAVE 4 PIPELINES.
- 2 BLOCK VALVE**  
IT ALLOWS TO MAINTAIN THE TOOL'S CHOSEN POSITION EVEN WITH MACHINES WITH OPEN CENTRE CIRCUITS AND IN CASE OF LEAKAGE

### OPTIONAL

- 3 LIFTING HOOK**  
A HOOK APPROVED FOR LIFTING OPERATIONS CAN BE WELDED DIRECTLY ON THE ROTOTWIST.
- 4 GRAB MODULE TRG**  
IDEAL FOR HANDLING LOGS AND PIPES, IT DOES NOT INTERACT WITH THE ATTACHMENT'S MOTOR. THE COLLET MODULE IS ONLY AVAILABLE ON DOUBLE ACTING COUPLINGS

### MATCHING QUICK COUPLERS

- |  |  |
|--|--|
| 5 AR Fast Lock                           | 10 S Nordic System • S Nordic EVO System |
| 6 CR Twin Lock • CR Twin Lock D.E.       | 11 PL Pin Lock • PL Pin Lock D.E.        |
| 7 CS Schnappmatic • CS Schnappmatic D.E. | 12 CW Hand'o'Lock • CW Hand'o'Lock D.E.  |
| 8 CS Schnappmatic D.E. CS 100            |  |
| 9 CM Sicurmatic • M'Lock D.E.            |  |

MATCHING QUICK COUPLERS



	TONS (LB)	TONS				
		2,0 - 2,5	2,5 - 4,5	4,0 - 5,0	5,0 - 6,0	6,0 - 7,0
		ROTOTWIST NOX TR 045		ROTOTWIST NOX TR 07		
5	AR FAST LOCK MECHANICAL SEMI-AUTOMATIC	AR 30 S.A.	AR 40 S.A.	AR 50 S.A.	AR 50 S.A.	AR 70 S.A.
	AR FAST LOCK HYDRAULIC SINGLE EFFECT	AR 30 S.E.	AR 40 S.E.	AR 50 S.E.	AR 50 S.E.	AR 70 S.E.
6	CR TWIN LOCK MECHANICAL SEMI-AUTOMATIC	CR 30 S.A.	CR 40 S.A.	CR 50 S.A.	CR 50 S.A.	CR 70 S.A.
	CR TWIN LOCK HYDRAULIC SINGLE EFFECT	CR 30 S.E.	CR 40 S.E.	CR 50 S.E.	CR 50 S.E.	CR 70 S.E.
	CR TWIN LOCK HYDRAULIC DOUBLE EFFECT	CR 30 D.E.	CR 40 D.E.	CR 50 D.E.	CR 50 D.E.	CR 70 D.E.
7	CS SCHNAPPMATIC MECHANICAL SEMI-AUTOMATIC	CS 10 S.A.	CS 30 S.A.	CS 30 S.A.	CS 80 S.A.	CS 80 S.A.
	CS SCHNAPPMATIC HYDRAULIC SINGLE EFFECT	CS 10 S.E.	CS 30 S.E.	CS 30 S.E.	CS 80 S.E.	CS 80 S.E.
	CS SCHNAPPMATIC HYDRAULIC DOUBLE EFFECT	CS 10 D.E.	CS 30 D.E.	CS 30 D.E.	CS 80 D.E.	CS 80 D.E.
8	CS 100 SCHNAPPMATIC HYDRAULIC DOUBLE EFFECT			-	-	-
9	CM SICURMATIC MECHANICAL SEMI-AUTOMATIC	M'LOCK 30 S.A.	M'LOCK 30 S.A.	M'LOCK100	M'LOCK100	M'LOCK100
	M'LOCK HYDRAULIC DOUBLE EFFECT	M'LOCK 30 D.E.	M'LOCK 30 D.E.	M'LOCK 100 D.E.	M'LOCK 100 D.E.	M'LOCK 100 D.E.
10	S NORDIC SYSTEM MECHANICAL SEMI-AUTOMATIC	S 30 S.A.	S 40 S.A.	S 40-200 S.A.	S 40-200 S.A.	-
		S 30 D.E.	S 40 D.E.	S 40-200 D.E.	S 40-200 D.E.	S 45 D.E.
	S NORDIC SYSTEM HYDRAULIC DOUBLE EFFECT					S 50 D.E.
11	PL PIN LOCK MECHANICAL	PL 20 S.A.	PL 40 S.A.	PL 60	PL 60	PL 60
	PL PIN LOCK HYDRAULIC DOUBLE EFFECT	-	PL 40 D.E.	PL 60 D.E.	PL 60 D.E.	PL 60 D.E.
12	CW HAND'O'LOCK MECHANICAL	CW 05 S.A.	CW 05 S.A.	CW 10	CW 10	CW 10
	CW HAND'O'LOCK HYDRAULIC DOUBLE EFFECT		CW 05 D.E.	CW 10 D.E.	CW 10 D.E.	CW 10 D.E.

6,0 - 7,0 (13228 - 15432)	7,0 - 8,0 (15432 - 17637)	8,0 - 9,0 (17637 - 19841)	9,0 - 10,0 (19841 - 22046)	10,0 - 11,0 (22046 - 26455)	10,0 - 11,0 (22046 - 24250)	11,0 - 12,0 (24250 - 26455)	14,0 - 18,0 (30864 - 39683)	18,0 - 19,0 (39683 - 41887)	19,0 - 25,0 (41887 - 55115)
6,0 - 7,0	7,0 - 8,0	8,0 - 9,0	9,0 - 10,0	10,0 - 11,0	10,0 - 11,0	11,0 - 14,0	14,0 - 18,0	18,0 - 19,0	19,0 - 25,0
ROTOTWIST NOX TR 11					ROTOTWIST NOX TR 14		ROTOTWIST NOX TR 19		ROTOTWIST NOX TR 25
AR 70 S.A.	-	-	-	-	-	-	-	-	-
AR 70 S.E.	-	-	-	-	-	-	-	-	-
CR 70 S.A.	CR 70 S.A.	CR 70 S.A.	CR 70 S.A.	CR 70 S.A.	CR 70 S.A.	CR 70 S.A.	-	-	-
CR 70 S.E.	CR 70 S.E.	CR 70 S.E.	CR 70 S.E.	CR 70 S.E.	CR 70 S.E.	CR 70 S.E.	-	-	-
CR 70 D.E.	CR 70 D.E.	CR 70 D.E.	CR 70 D.E.	CR 70 D.E.	CR 70 D.E.	CR 70 D.E.	-	-	-
CS 80 S.A.	CS 80 S.A.	CS 80 S.A.	CS 80 S.A.	CS 80 S.A.	CS 80 S.A.	CS 80 S.A.	-	-	-
CS 80 S.E.	CS 80 S.E.	CS 80 S.E.	CS 80 S.E.	CS 80 S.E.	CS 80 S.E.	CS 80 S.E.	-	-	-
CS 80 D.E.	CS 80 D.E.	CS 80 D.E.	CS 80 D.E.	CS 80 D.E.	CS 80 D.E.	CS 80 D.E.	-	-	-
-	-	-	-	-	-	CS 100 D.E.	CS 100 D.E.	CS 100 D.E.	-
M'LOCK100	M'LOCK100	M'LOCK100	M'LOCK100	M'LOCK100	-	-	-	-	-
M'LOCK 100 D.E.	M'LOCK 100 D.E.	M'LOCK 100 D.E.	M'LOCK 100 D.E.	M'LOCK 180 D.E.	M'LOCK 180 D.E.	M'LOCK 180 D.E.	M'LOCK 180 D.E.	-	-
-	-	-	-	-	-	-	-	-	-
S 45 D.E.	S 45 D.E.	S 45 D.E.	S 45 D.E.	S 45 D.E.	S 45 D.E.	S 45 D.E.	S 60 D.E.	-	-
S 50 D.E.	S 50 D.E.	S 50 D.E.	S 50 D.E.	S 50 D.E.	S 50 D.E.	S 50 D.E.	-	-	-
						S 60 D.E.			
PL 60	PL 80	PL 80	PL 80	-	-	-	-	-	-
PL 60 D.E.	PL 80 D.E.	PL 80 D.E.	PL 80 D.E.	-	PL 100 D.E.	PL 100 D.E.	-	-	-
CW 10	CW 10	CW 10	CW 10	-	-	-	-	-	-
CW 10 D.E.	CW 10 D.E.	CW 10 D.E.	CW 10 D.E.	CW 20S D.E.	CW 20S D.E.	CW 20S D.E.	CW 30S D.E.	CW 30S D.E.	CW 30S D.E.

GRAB MODULE TRG



		TONS (LB)	4,0 - 5,0 (8818 - 11023)	5,0 - 6,0 (11023 - 13228)	6,0 - 7,0 (13228 - 15432)	6,0 - 7,0 (13228 - 15432)	7,0 - 8,0 (15432 - 17637)	8,0 - 9,0 (17637 - 19841)	9,0 - 10,0 (19841 - 22046)	10,0 - 11,0 (22046 - 26455)	10,0 - 11,0 (22046 - 24250)	11,0 - 12,0 (24250 - 26455)	14,0 - 18,0 (30864 - 39683)	18,0 - 19,0 (39683 - 41887)	19,0 - 25,0 (41887 - 55115)
			ROTOTWIST NOX TR 07			ROTOTWIST NOX TR 11					ROTOTWIST NOX TR 14		ROTOTWIST NOX TR 19		ROTOTWIST NOX TR 25
4	CR TWIN LOCK HYDRAULIC DOUBLE EFFECT	MOD.	TRG 11	TRG 11	TRG 11	TRG 11	TRG 11	TRG 11	TRG 11	TRG 11	TRG 11	TRG 11	-	-	-
			CR 50 D.E.	CR 50 D.E.	CR 70 D.E.	CR 70 D.E.	CR 70 D.E.	CR 70 D.E.	CR 70 D.E.	CR 70 D.E.	CR 70 D.E.	CR 70 D.E.			
4	CS SCHNAPPMATIC HYDRAULIC DOUBLE EFFECT	MOD.	TRG 07	TRG 11	TRG 11	TRG 11	TRG 11	TRG 11	TRG 11	TRG 11	TRG 11	TRG 11	-	-	-
			CS 30 D.E.	CS 80 D.E.	CS 80 D.E.	CS 80 D.E.	CS 80 D.E.	CS 80 D.E.	CS 80 D.E.	CS 80 D.E.	CS 80 D.E.	CS 80 D.E.			
4	CS 100 SCHNAPPMATIC HYDRAULIC DOUBLE EFFECT	MOD.	-	-	-	-	-	-	-	-	-	TRG 19	TRG 19	TRG 19	-
												CS 100 D.E.	CS 100 D.E.	CS 100 D.E.	
4	M'LOCK HYDRAULIC DOUBLE EFFECT	MOD.	TRG 11	TRG 11	TRG 11	TRG 11	TRG 11	TRG 11	TRG 11	TRG 19	TRG 19	TRG 19	TRG 19	TRG 19	-
			M'LOCK 100 D.E.	M'LOCK 100 D.E.	M'LOCK 100 D.E.	M'LOCK 100 D.E.	M'LOCK 100 D.E.	M'LOCK 100 D.E.	M'LOCK 180 D.E.	M'LOCK 180 D.E.	M'LOCK 180 D.E.	M'LOCK 180 D.E.	M'LOCK 180 D.E.	-	-
4	S NORDIC SYSTEM HYDRAULIC DOUBLE EFFECT	MOD.	TRG 07	TRG 07	TRG 11	TRG 11	TRG 11	TRG 11	TRG 11	TRG 11	TRG 11	TRG 11	TRG 19	-	-
			S 40-200 D.E.	S 40-200 D.E.	S 45 D.E.	S 45 D.E.	S 45 D.E.	S 45 D.E.	S 45 D.E.	S 45 D.E.	S 45 D.E.	S 45 D.E.	S 60 D.E.	-	-
					S 50 D.E.	S 50 D.E.	S 50 D.E.	S 50 D.E.	S 50 D.E.	S 50 D.E.	S 50 D.E.	S 50 D.E.	S 60 D.E.		
4	PL PIN LOCK HYDRAULIC DOUBLE EFFECT	MOD.	TRG 11	TRG 11	TRG 11	TRG 11	TRG 11	TRG 11	TRG 11	TRG 11	TRG 11	TRG 11	-	-	-
			PL 60 D.E.	PL 60 D.E.	PL 60 D.E.	PL 60 D.E.	PL 80 D.E.	PL 80 D.E.	PL 80 D.E.	-	PL 100 D.E.	PL 100 D.E.			
4	CW HAND'O'LOCK HYDRAULIC DOUBLE EFFECT	MOD.	TRG 11	TRG 11	TRG 11	TRG 11	TRG 11	TRG 11	TRG 11	TRG 19	TRG 19	TRG 19	TRG 19	TRG 23	TRG 25
			CW 10 D.E.	CW 10 D.E.	CW 10 D.E.	CW 10 D.E.	CW 10 D.E.	CW 10 D.E.	CW 20S D.E.	CW 20S D.E.	CW 20S D.E.	CW 20S D.E.	CW 30S D.E.	CW 30S D.E.	CW 30S D.E.