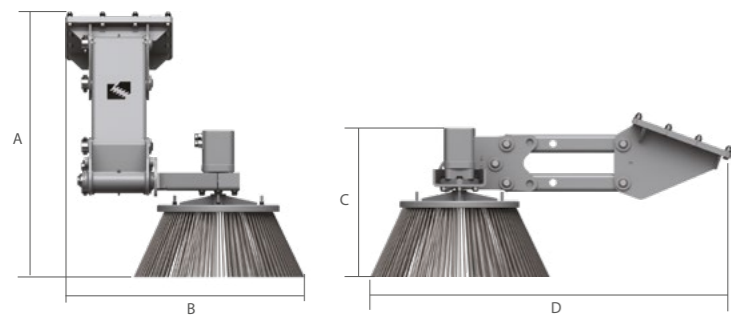




THIS BRUSH CAN BE APPLIED TO EXCAVATORS. IT IS MADE OF STEEL BRISTLES AND THEREFORE IDEAL FOR THE DEEP CLEANING AND WEED-REMOVAL OF CURBS, PLATFORMS AND BANKS, AND ASPHALTED AREAS. IT IS EQUIPPED WITH STANDARD FLOATING SYSTEM AND JOINT ON ITS HEAD THAT ENABLE THE BRUSH TO ADAPT TO ANY SURFACE. BOTH POSITIONING SYSTEMS CAN BE BLOCKED TO A FIX POSITION FOLLOWING THE UTILIZER'S NEEDS. IN ITS PPL BRISTLE VERSION THE BRUSH CAN CLEAN MORE DELICATE SURFACES WHERE THE WEED-REMOVAL IS NOT NECESSARY.



	MOD.	SSC550	
<b>A</b>	MM (IN)	890	(35)
<b>B</b>	MM (IN)	850	(33)
<b>C</b>	MM (IN)	550	(22)
<b>D</b>	MM (IN)	1260	(50)
FLOATING STROKE	MM (IN)	340	(13)
W/O COUPLER	KG (LB)	100	(220)
	MM (IN)	640	(25)
MAX.	L/MIN (GAL/MIN)	70	(19)
MAX.	BAR (PSI)	200	(2901)



**STANDARD TECHNICAL FEATURES**

- 1 **ENGINE WITH SQUARE FLANGES AND DISK GEARBOX**
- 2 **PPL BRUSH (A) STEEL BRUSH + RUBBER PLATE (B) STEEL BRUSH + STEEL PLATE (C)**
- 3 **FLOATING SYSTEM AND JOINT**

**OPTIONAL**

- 4 **FLOWRATE REDUCERS**  
ADVISED FOR MACHINES WITH OILFLOW HIGHER THAN 70 L/MIN
- 5 **STONE DEFLECTOR**