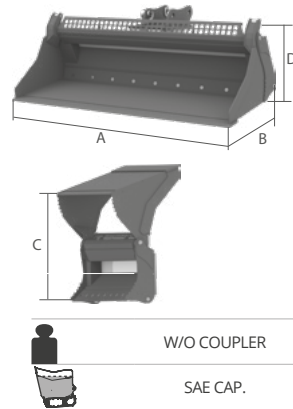


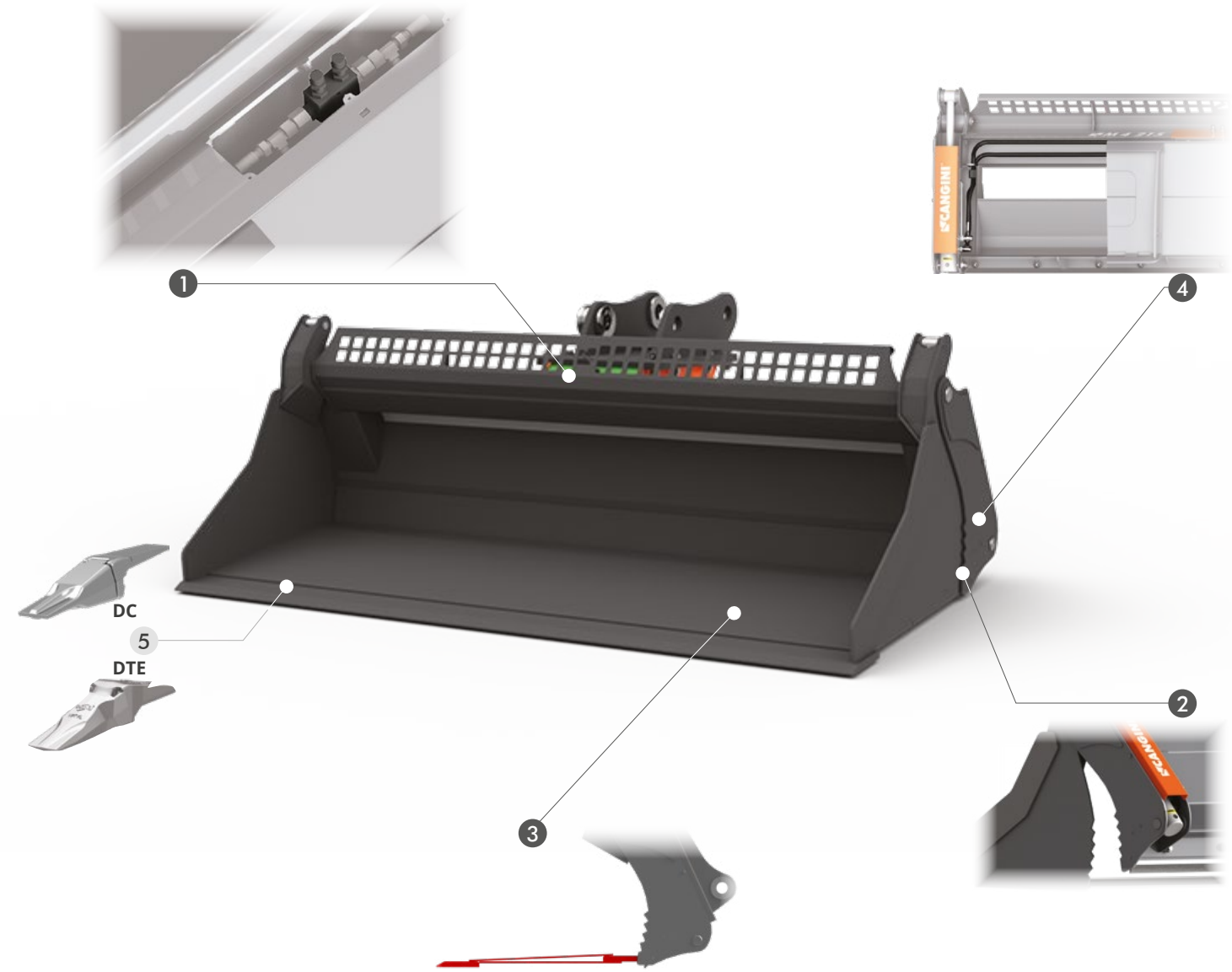


SUITABLE FOR LOADING, UNLOADING AND HANDLING OPERATIONS. THANKS TO ITS HYDRAULIC OPENING IT IS SUITABLE ALSO FOR VARIOUS MATERIAL GRABBING, WASTE DISCHARGE CONTROL AND GROUND LEVELLING.



	MOD.	M4-102	M4-110	M4-125	M4-140	M4-152	M4-170	M4-188	M4-200	M4-215	
A	MM (IN)	1020 (40)	1100 (43)	1250 (49)	1400 (55)	1520 (60)	1700 (67)	1880 (74)	2000 (79)	2150 (85)	
B	MM (IN)	850 (33)	850 (33)	850 (33)	850 (33)	850 (33)	950 (37)	950 (37)	950 (37)	950 (37)	
C	MM (IN)	900 (35)	900 (35)	900 (35)	900 (35)	900 (35)	950 (37)	950 (37)	950 (37)	950 (37)	
D	MM (IN)	650 (26)	650 (26)	650 (26)	650 (26)	650 (26)	700 (28)	700 (28)	700 (28)	700 (28)	
	W/O COUPLER	KG (LB)	240 (529)	250 (551)	265 (584)	285 (628)	300 (661)	370 (816)	390 (860)	410 (904)	440 (970)
	SAE CAP.	L (GAL)	265 (70)	290 (76,6)	330 (87,2)	375 (99,1)	410 (108,3)	490 (129,4)	550 (145,3)	580 (153,2)	630 (166,4)

		M4-102	M4-110	M4-125	M4-140	M4-152	M4-170	M4-188	M4-200	M4-215
	N.	5	5	6	6	6	7	7	8	8
5	DC TEETH	DC 1 (KG 1,4)	DC 1 (KG 1,4)	DC 1 (KG 1,4)	DC 1 (KG 1,4)	DC 1 (KG 1,4)	DC 1 (KG 1,4)	DC 1 (KG 1,4)	DC 1 (KG 1,4)	DC 1 (KG 1,4)
5	DTE TEETH	DTE 13 (KG 1,7)	DTE 13 (KG 1,7)	DTE 13 (KG 1,7)	DTE 13 (KG 1,7)	DTE 13 (KG 1,7)	DTE 13 (KG 1,7)	DTE 13 (KG 1,7)	DTE 13 (KG 1,7)	DTE 13 (KG 1,7)



STANDARD TECHNICAL FEATURES

- 1 SAFETY CHECK-VALVE**
IT ALLOWS TO KEEP THE TOOL SAFE EVEN IN CASE OF DAMAGE OF THE PIPES OR PRESSURE LOSS IN THE SYSTEM.
- 2 SIDE TOOTHING**
ITS PROFILE ENABLES TO KEEP THE GRABBED MATERIAL.
- 3 HB400 REINFORCEMENT STRIPES AND CUTTING EDGE**
THEY GRANT HIGH RESISTANCE AGAINST DEFORMATION OF THE MORE STRESSED PARTS.
- 4 HYDRAULIC SYSTEM INTEGRATED INTO THE BODY**
IT'S INTEGRATED INTO THE BODY THUS PROTECTING PIPES FROM DAMAGES DURING THE WORKING PHASE.

OPTIONAL

- 5 DC TEETH DTE TEETH**